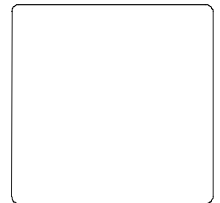
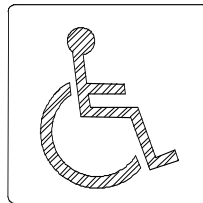


1 Description

The 6" Square push plates come in three styles: one with a handicap logo, one that states "Push To Operate", or one with Plain face. They are available in Stainless Steel or Brass.

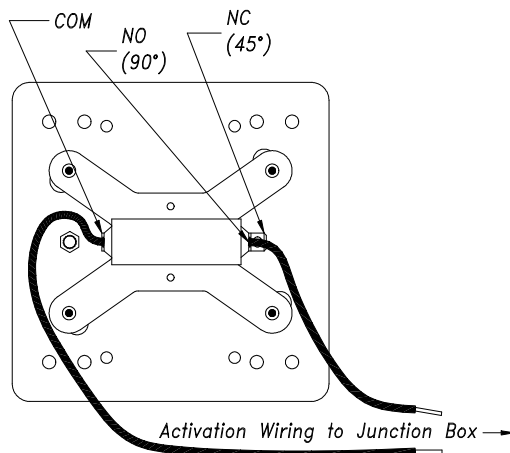


	WHEELCHAIR LOGO	PUSH TO OPEN	PLAIN
Stainless Steel	10PBS6L	10PBS6	10PBS610
Brass	10PBS6LBRASS	10PBS6BRASS	10PBS610BRASS

2 Wiring

The switch connection wiring must be completed before attaching the switch plate sub-assembly to the junction box.

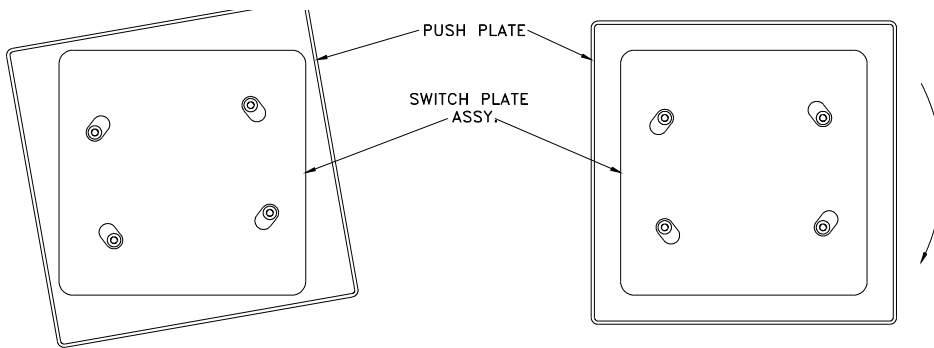
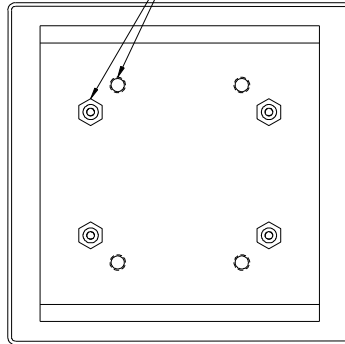
- Using the harness supplied, attach the spade connectors to the NO and COM terminal lugs on the switch. The ends of the harness can then be attached to the activation wiring using wire nuts.
- The switch plate sub-assembly can then be attached to the plaster ring/junction box using four #6-32 x 1/2" screws.



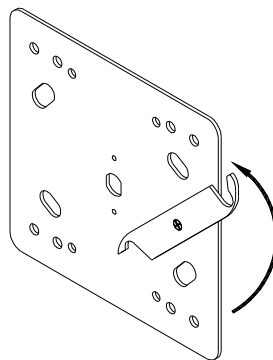
3 Installation

If necessary, use the following illustrations as a guide to adjust the face of a push plate 90 degrees for final installation of the plate.

TO ROTATE PLATE 90°
MOVE FOUR STUDS TO THE
OTHER FOUR THREADED
HOLES IN THE BACKPLATE



TO INSTALL PUSH PLATE
1. LOCATE STUDS AS SHOWN.
2. PRESS IN & ROTATE PLATE.
3. RELEASE, MAKE SURE STUDS LOCK INTO SPRING.

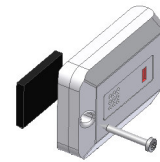
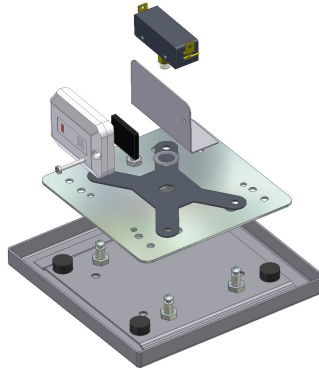
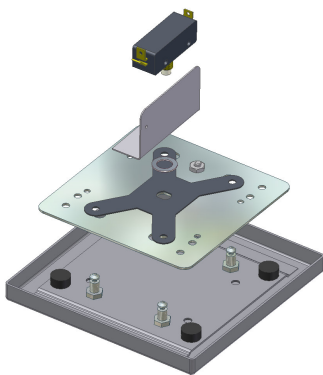


ROTATE LOCK BAR
ONTO STUD

4 Technical Specifications

Dimensions	6" x 6" x 1.5" Square
Faceplate Material	Stainless Steel or Brass
Switch Rating	SPST, 15A 125 or 250 VAC

5 Accessories (sold separately)



Remote control transmitters can be purchased for use if hard-wiring is not possible. It can be easily attached using the Velcro and screw provided with the kit.

BEA Transmitters
T300MINIPB shown.

6 Company Contact

If after troubleshooting a problem, a satisfactory solution cannot be achieved, please call B.E.A., Inc. for further assistance during **Eastern Standard Time at 1-800-523-2462 from 8am - 5pm.**

For after-hours, call East Coast: 1-866-836-1863 or 1-800-407-4545 / Mid-West: 1-888-308-8843 /

West Coast: 1-866-721-8646. **DO NOT leave any problem unresolved.** If you must wait for the following workday to call B.E.A., leave the door inoperable until satisfactory repairs can be made.

NEVER sacrifice the safe operation of the automatic door or gate for an incomplete solution.

Web: www.beasensors.com